



LEFROY BROOKS

IBROC HOUSE ESSEX ROAD
HODDESDON HERTS EN11 0QS UK
T: +44 (0)1992 708 316 F: +44 (0)1992 708 317

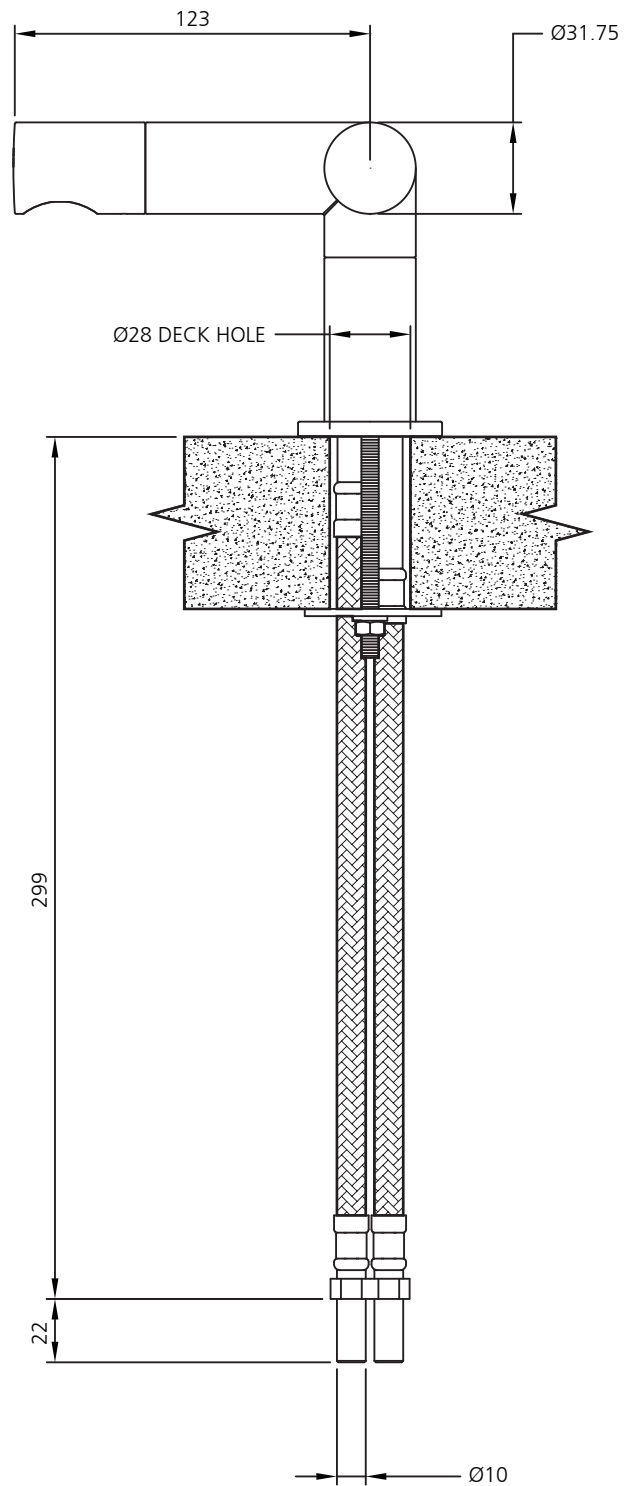
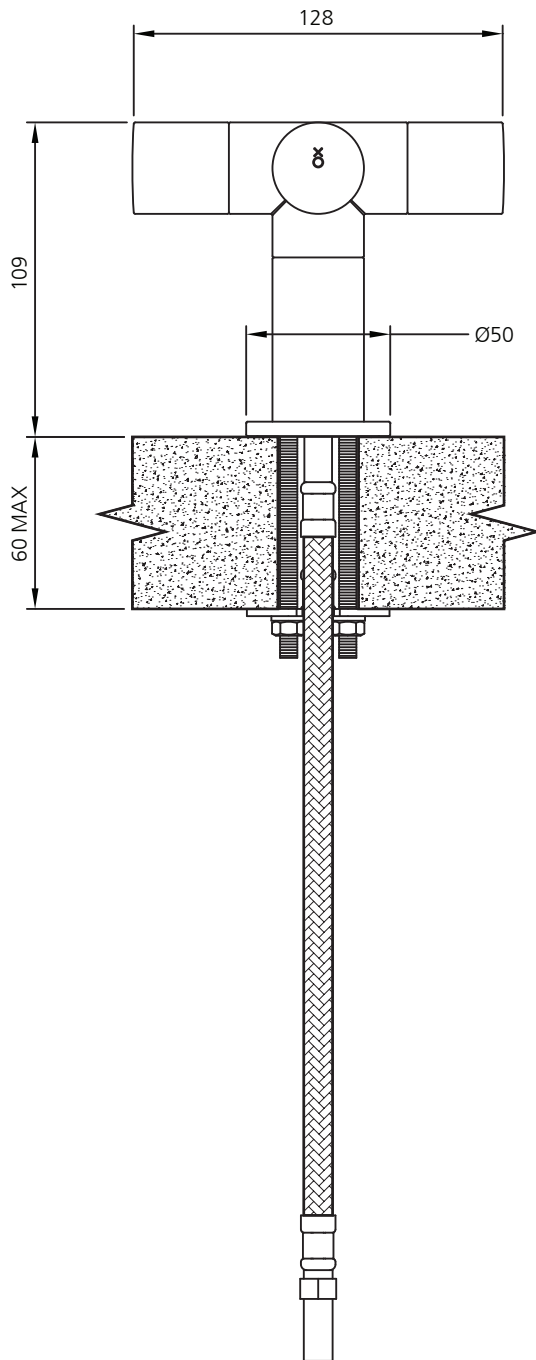
XO-3000

JO MONO - BASIN MOUNTED

DIMENSIONAL DATA SHEET

DATE: 18 August 2010

NUMBER: 30 069 3000 B



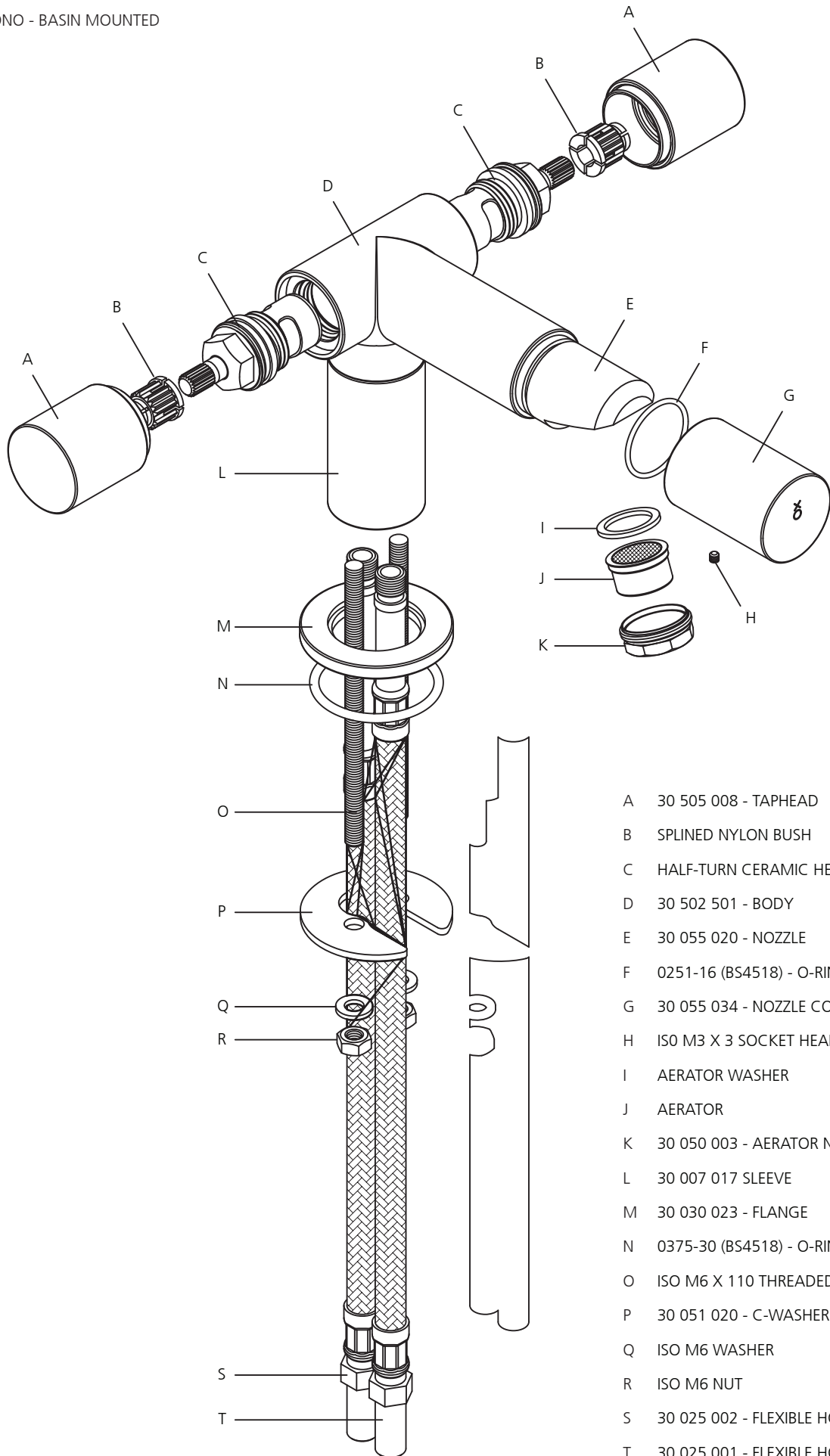
©COPYRIGHT 2001-2010. CHRISTO LEFROY BROOKS. ALL RIGHTS RESERVED.

DIMENSIONS IN MILLIMETRES

WHILST EVERY EFFORT IS MADE TO ENSURE THE ACCURACY OF THESE DATA SHEETS THEY ARE SUBJECT TO CHANGE WITHOUT NOTICE AS PART OF THE COMPANY'S PRODUCT DEVELOPMENT PROCESS

XO-3000

JO MONO - BASIN MOUNTED



- A 30 505 008 - TAPHEAD
- B SPLINED NYLON BUSH
- C HALF-TURN CERAMIC HEADWORK
- D 30 502 501 - BODY
- E 30 055 020 - NOZZLE
- F 0251-16 (BS4518) - O-RINGS
- G 30 055 034 - NOZZLE COVER
- H ISO M3 X 3 SOCKET HEAD SET SCREW
- I AERATOR WASHER
- J AERATOR
- K 30 050 003 - AERATOR NUT
- L 30 007 017 SLEEVE
- M 30 030 023 - FLANGE
- N 0375-30 (BS4518) - O-RING
- O ISO M6 X 110 THREADED BAR
- P 30 051 020 - C-WASHER
- Q ISO M6 WASHER
- R ISO M6 NUT
- S 30 025 002 - FLEXIBLE HOSE
- T 30 025 001 - FLEXIBLE HOSE